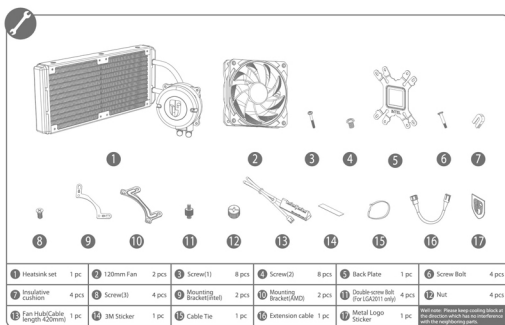


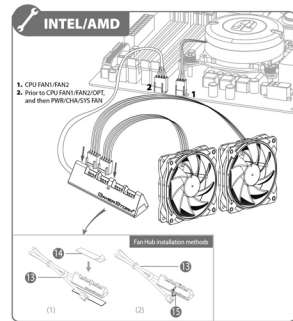
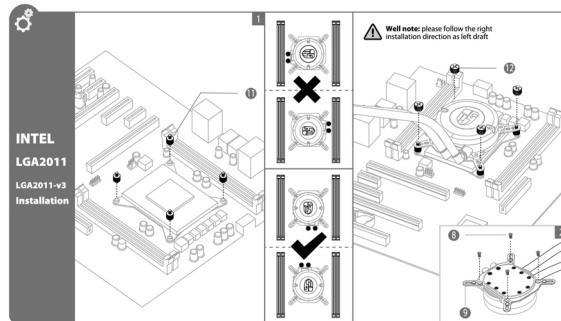
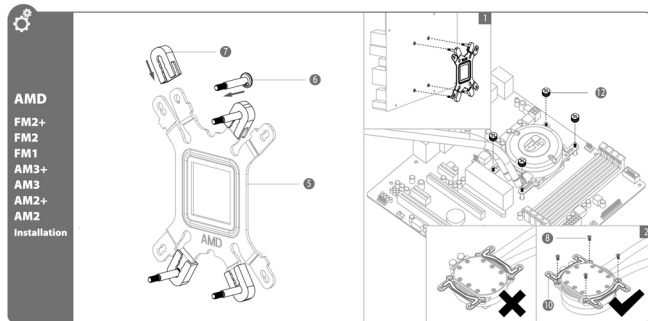
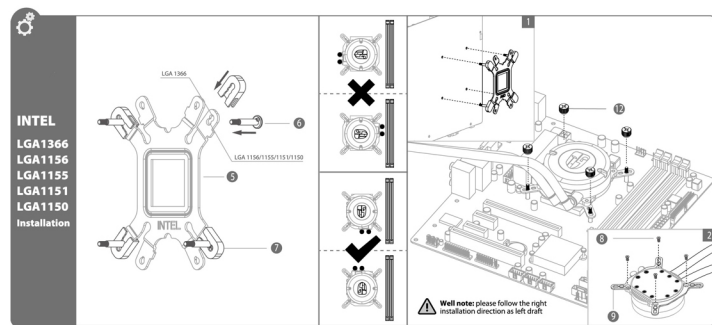
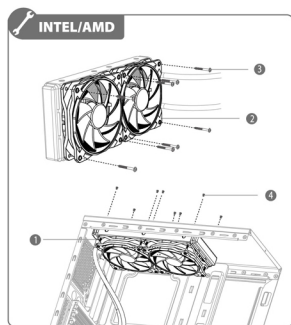


MAELSTROM 240
User manual



| | | | | | |
|--------------------------------------|--------------------|-------------------------------|--------------------------------|---|--------------------|
| 1 Heatsink set 1 pc | 2 120mm Fan 2 pcs | 3 Screw(1) 8 pcs | 4 Screw(2) 8 pcs | 5 Back Plate 1 pc | 6 Screw Bolt 4 pcs |
| 7 Insulative cushion 4 pcs | 8 Screw(3) 4 pcs | 9 Mounting Bracket(AM2) 2 pcs | 10 Mounting Bracket(AMD) 2 pcs | 11 Double-screw bolt (For LGA2011 only) 4 pcs | 12 Nut 4 pcs |
| 13 Fan Hub/Cable (length 420mm) 1 pc | 14 3M Sticker 1 pc | 15 Cable Tie 1 pc | 16 Extension cable 1 pc | 17 Metal Logo Sticker 1 pc | |

Well note: Please keep cooling block at the direction which has no interference with the neighboring parts.



MADE IN CHINA

Beijing Deepcool Industries Co., Ltd.

All rights reserved.

Design and Develop in Shenzhen by Beijing Deepcool Industries Co., Ltd.

www.gamertorn.cn

AMD
FM2+
FM2
FM1
AM3+
AM3
AM2+
AM2
Installation

INTEL
LGA2011
LGA2011-v3
Installation

INTEL/AMD

1. CPU FAN1/FAN2
2. Prior to CPU FAN1/FAN2/OP1, and then PWR/CHA/SYS FAN

Fan Hub installation method

